

384-386RH SUMMIT®

MANSFIELD®

Elongated Front, SmartHeight™, Vitreous China, Two-Piece Toilet

FEATURES

- High performance MagnaFlush™ flushing technology
- 1.6 gpf / 6.0 lpf low water consumption
- Elongated front, SmartHeight™ bowl (ADA compliant)
- SmartFasten™ 3-bolt tank-to-bowl connection
- PuraClean® easy-to-clean glaze
- 3" Rigid Flapper flush valve – requires less force to flush, is more consistent and uses a simple universal repair part/seal
- Fluidmaster® pilot operated anti-siphon fill valve
- 12" rough-in
- Model 57RH chrome-plated, metal trip lever
- 2" glazed trapway
- The Mansfield® limited lifetime warranty on china; Five-year limited warranty on tank trim
- Available in White



MODEL 384-386RH

Toilet seat not included





ELONGATED



SMARTHEIGHT ADA

COMPONENTS

MODEL #	DESCRIPTION	CODES/STANDARDS
384-386RH	Elongated front, SmartHeight™, two-piece toilet. Less toilet seat and supply.	 
384	Elongated front, SmartHeight™ toilet bowl only. Less supply. Specify color.	
386RH	Tank and cover only, with right hand, front-mount, chrome-plated, metal trip lever. Less supply.	

TANK TRIM & REPLACEMENT PARTS

57RH	Trip lever - chrome-plated, metal trip lever, right hand
2037-1212	Summit® 1.6 rigid flapper flush valve
400A	Fluidmaster® anti-siphon pilot fill valve
2206	Anti-siphon pilot fill valve (compatible replacement)
630-0030	Replacement flush valve seal
386-LID	Tank lid





384-386RH SUMMIT®



Elongated Front, SmartHeight™, Vitreous China, Two-Piece Toilet

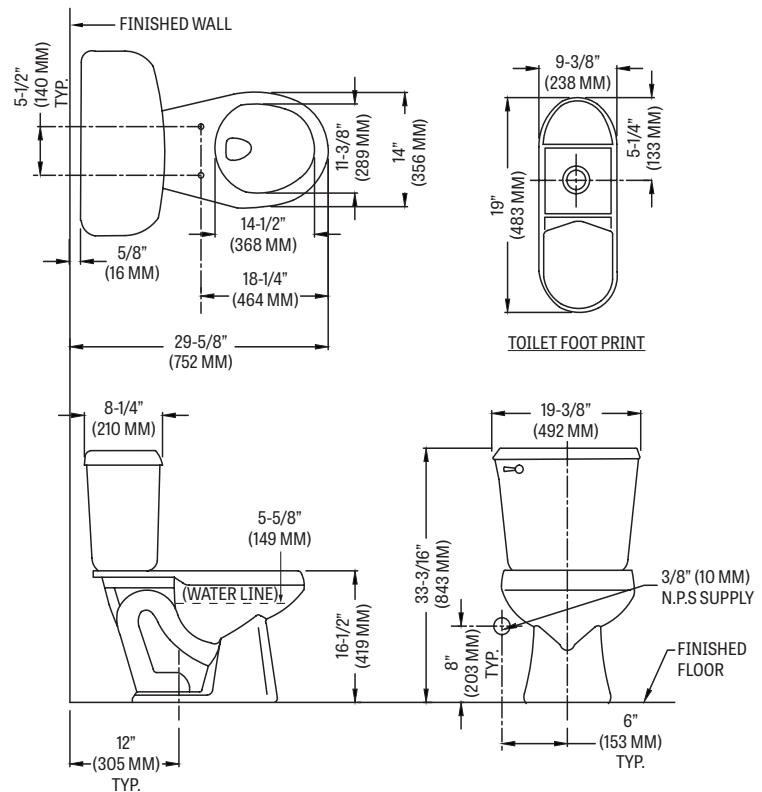
SPECIFICATIONS

MODEL #	DESCRIPTION	CODES/STANDARDS
384-386RH	Elongated front, SmartHeight™ (1.6 gpf/6.0 lpf) two-piece toilet	 

MATERIAL	Vitreous China	TRAP DIAMETER	2'
WATER PRESSURE RANGE	20 to 80 PSI	TRAP SEAL	2-3/8'
FLUSH SYSTEM	MagnaFlush™ flushing technology	SHIPPING WEIGHT	Model 384 - 54 lbs. (24.4 kg) Model 386RH - 36 lbs. (16.3 kg)
WATER USAGE	1.6 gpf / 6.0 lpf	WARRANTY	Vitreous China - Limited Lifetime Tank Trim - Limited Five Year
WATER SURFACE AREA	9' X 10'		
ROUGH-IN	12'		
MAP RATING	1,000 grams		

TANK OPTIONS	TECHNICAL INFORMATION
	Note: these dimensions are nominal and subject to change without notice.

386	Variation of model 386RH, with left hand trip lever.
386LT	Variation of model 386, with tank liner.



Fixture performance and specifications meet or exceed ASME A112.19.2/CSA B45.1 standards, and other state and local codes.

